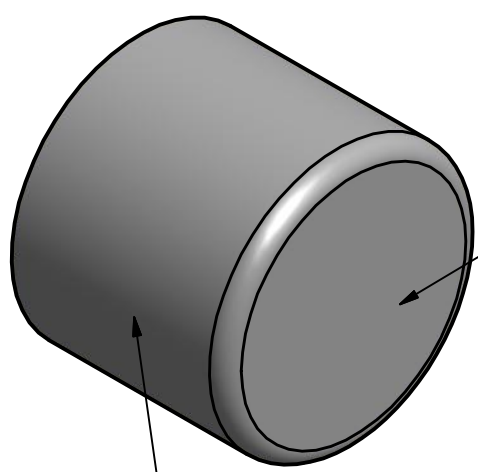
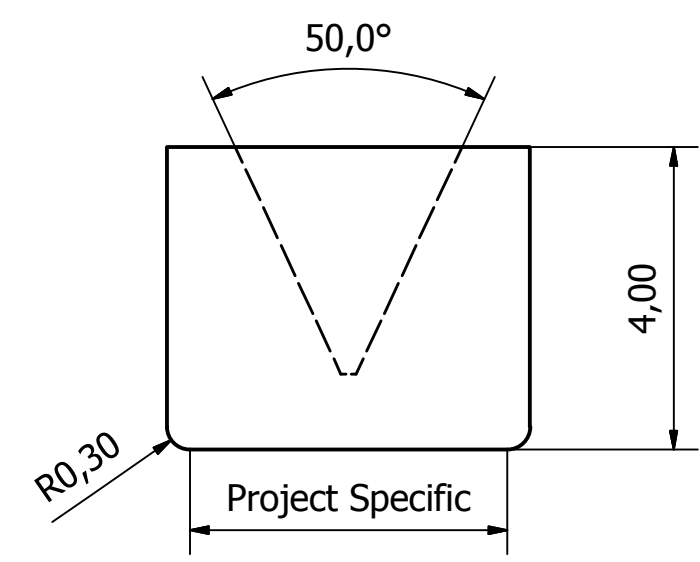


$\varnothing 3,00 - 3,00$ DEEP



Surface finish required for testing

Ground/fine ground/polished - determined by Ra needed

All other surfaces 'as machined'

UNLESS OTHERWISE STATED:
 1. ALL DIMENSIONS IN MILLIMETRES
 2. TOLERANCES: 0.2 mm
 3. SURFACE FINISH: GROUND
 REMOVE ALL SHARP EDGES

Note:
 This pin geometry is used for 1-20 MPa contact pressures.
 Adjust area and load.

Designed by Terry Harvey	Drawn by Terry Harvey	Material Project Specific	Date 18/03/2015
 National Centre for Advanced Tribology at Southampton		Title Area contact pin 2	
		Project TE77 Testing	Sheet 1 / 1